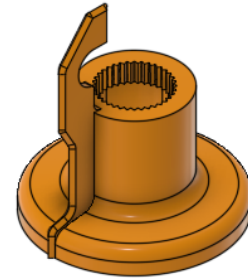
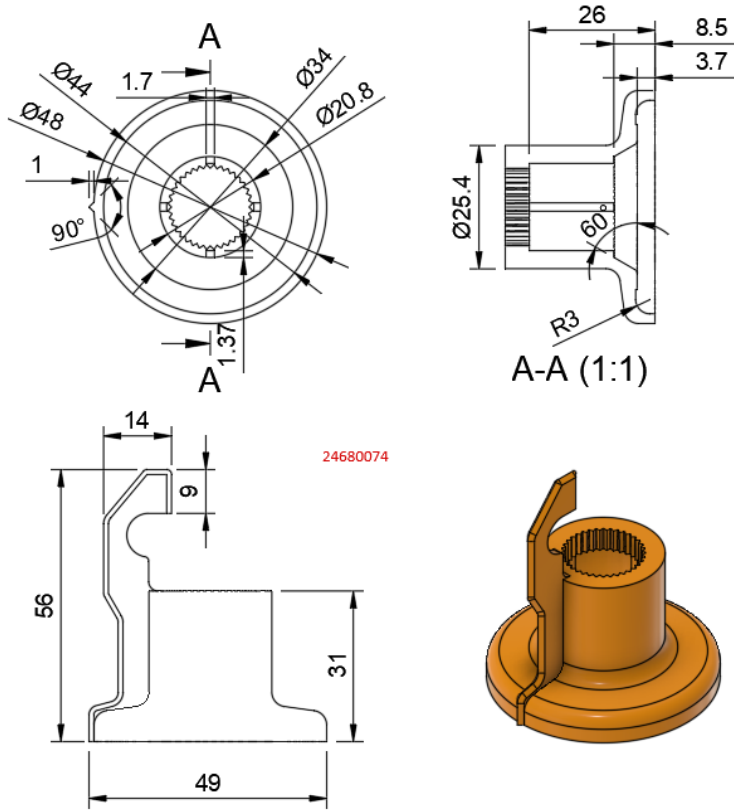




Steering rack protection cap Part No. 24680074



clip2net.com

Alternative part number	Application
HDZ1867	20.80*48.00*56.00

More new products at <https://www.atg-components.com/warehouse-news>